

2MP 38x Starlight IR Network PTZ Dome Camera

IPC6852SR-X38UG



Key Features

Optics

- Starlight illumination
- Accurate and fast focusing
- Smart IR, up to 250m (820ft) IR distance
- Optical glass window with higher light transmittance
- IR anti-reflection window to increase the infrared transmittance

Compression

- Ultra 265, H.265, H.264, MJPEG
- Triple streams
- Customized OSD

Network

- ONVIF Conformance
- Optional network interfaces with Ethernet RJ45 and optical SFP

Structure

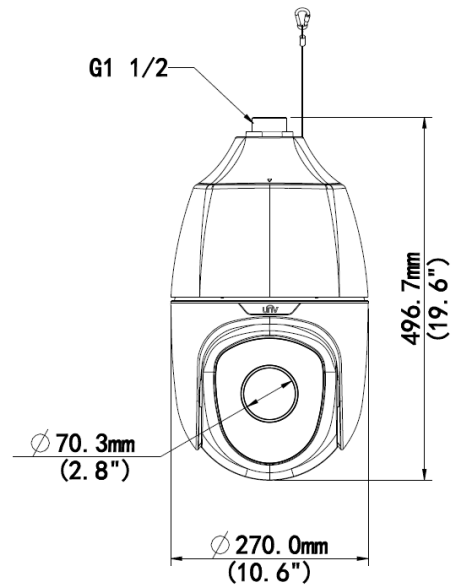
- Innovative snow-removing functionality
- More effective heat dissipation system
- Intelligent temperature control technology
- IP66

Specifications

IPC6852SR-X38UG																
Camera																
Sensor	1/1.8", 2.0 megapixel, progressive scan, CMOS															
Lens	5.7 ~ 216.6mm, AF automatic focusing and motorized zoom lens															
Digital Zoom	16															
Optical Zoom	38															
DORI Distance	<table border="1"> <thead> <tr> <th>Lens (mm)</th> <th>Detect (m)</th> <th>Observe (m)</th> <th>Recognize (m)</th> <th>Identify (m)</th> </tr> </thead> <tbody> <tr> <td>5.7</td> <td>68.4</td> <td>27.4</td> <td>17.7</td> <td>6.8</td> </tr> <tr> <td>216.6</td> <td>2599.2</td> <td>1039.7</td> <td>519.8</td> <td>259.9</td> </tr> </tbody> </table>	Lens (mm)	Detect (m)	Observe (m)	Recognize (m)	Identify (m)	5.7	68.4	27.4	17.7	6.8	216.6	2599.2	1039.7	519.8	259.9
	Lens (mm)	Detect (m)	Observe (m)	Recognize (m)	Identify (m)											
	5.7	68.4	27.4	17.7	6.8											
216.6	2599.2	1039.7	519.8	259.9												
Angle of View (H)	58.4° ~ 2.1°															
Angle of View (V)	42.6° ~ 1.3°															
Angle of View (O)	71.8° ~ 2.4°															
Shutter	Auto/Manual; shutter time: 1 ~ 1/100000s															
Minimum Illumination	Colour: 0.0005Lux (F1.5, AGC ON) 0Lux with IR															
Iris	Auto; F1.5 ~ F4.5															
Day/Night	IR-cut filter with auto switch (ICR)															
Digital noise reduction	2D/3D DNR															
S/N	>52dB															
IR Range	UP to 250m (820ft)															
Defog	Optical Defog & Digital Defog															
WDR	120dB															
Video																
Video Compression	Ultra 265, H.265, H.264, MJPEG															
H.264 code profile	Baseline profile, Main Profile, High Profile															
Frame Rate	Main Stream: 2MP (1920*1080), Max 60fps; Sub Stream: 2MP (1920*1080), Max 60fps; Third Stream: D1 (720*576), Max 60fps															
HLC	Supported															
BLC	Supported															
EIS	Supported															
OSD	Up to 8 OSDs															
Privacy Mask	Up to 24 areas															
ROI	Up to 8 areas															

Motion Detection	Up to 4 areas
Smart	
General Function	Watermark, IP Address Filtering, Tampering Alarm, Alarm input, Alarm output, Access Policy, ARP Protection, RTSP Authentication, User Authentication
Audio	
Audio Compression	G.711
Two-way audio	Supported
Suppression	Supported
Sampling Rate	8KHZ
Storage	
Edge Storage	Micro SD, up to 256GB
Network Storage	ANR
Network	
Protocols	IPv4, IGMP, ICMP, ARP, TCP, UDP, DHCP, PPPoE, RTP, RTSP, RTCP, DNS, DDNS, NTP, FTP, UPnP, HTTP, HTTPS, SMTP, 802.1x, SNMP, QoS, RTMP
Compatible Integration	ONVIF (Profile S, Profile G, Profile T), API
Pan & Tilt	
Pan Range	360° (endless)
Pan Speed	0.1°/s ~ 180°/s
	Preset speed: 300°/s
Tilt Range	-15° ~ 90° (auto reverse)
Tilt Speed	0.1° ~ 180°/s
	Preset speed: 240°/s
Number of Presets	1024
Patrol	Preset patrol, route patrol, recorded patrol
Home Position	Supported
Interface	
Audio I/O	Audio cable
	Input: impedance 35kΩ; amplitude 2V [p-p]
	Output: impedance 600Ω; amplitude 2V [p-p]
Alarm I/O	2/1
Serial Port	1 RS485
Network	1*100M/1000M Base-FX SFP + 1*10M/100M Base-TX Ethernet
Video Output	1 BNC, impedance 75Ω; amplitude 1V [p-p]
General	
Power	AC 24V (Default)±25%, DC 24V±25%
	Power consumption: 16 ~ 51W
Dimensions (∅ x H)	∅270 x 496.7mm (∅10.6" x 19.6")
Weight	9.69kg (21.4lb)
Working Environment	-40°C ~ 70°C (-40°F ~ 158°F), Humidity: ≤95% RH (non-condensing)
Ingress Protection	IP66
Reset Button	Supported

Dimensions

**Zhejiang Uniview Technologies Co., Ltd.**

Building No.10, Wanlun Science Park, Jiangling Road 88, Binjiang District, Hangzhou, Zhejiang, China (310051)

Email: overseasbusiness@uniview.com; globalsupport@uniview.com

<http://www.uniview.com>

©2019 Zhejiang Uniview Technologies Co., Ltd. All rights reserved.

*Product specifications and availability are subject to change without notice.